

ENGLISH



ENGLISH



ENGLISH



ENGLISH

# Installation and maintenance instructions version 1.00

## CDG43A CDG4EQ3A



## SYMBOLS

Here are the symbols used in the manual to draw the reader's attention:



Caution! Risk of electric shock.



Caution! This operation must be performed by skilled personnel.



Pay particular attention to the following instructions.



Further information.

## WARRANTY

24 months from the date of the delivery note. Warranty covers only failures of defective components (due to construction defects or defects in materials) and includes replacement or repair of the components and related labor costs.

Warranty is automatically forfeited in the event of:

- tampering, deletion, removal of the identification label and/or serial number of the product
- misuse, transformation, alteration, repair of products not carried out by Laumas personnel

Laumas provides a 1-year warranty from the date of the delivery note on defects in material or manufacture of the battery.

## GUIDELINES FOR PROPER DISPOSAL



**Sealed Lead Acid  
Battery  
Must be recycled  
Properly**

This symbol on the product or packaging indicates that:

- This is electrical/electronic equipment and cannot be disposed of as municipal solid waste, but must be delivered to a recycling center
- Improper use or disposal can pollute the environment or damage human health
- Non-compliance with these guidelines will be penalized in accordance with the regulations in force in the country of destination
- It is recommended to dispose of the packing and packaging as required by local regulations

## TABLE OF CONTENTS

<b>USER WARNINGS</b> .....	<b>1</b>
<b>PARTS IDENTIFICATION</b> .....	<b>2</b>
<b>TECHNICAL SPECIFICATIONS</b> .....	<b>3</b>
<b>INSTALLATION</b> .....	<b>3</b>
<b>SANITIZATION AND MAINTENANCE</b> .....	<b>1</b>
<b>SANITIZATION</b> .....	<b>1</b>
<b>MAINTENANCE</b> .....	<b>1</b>

## USER WARNINGS

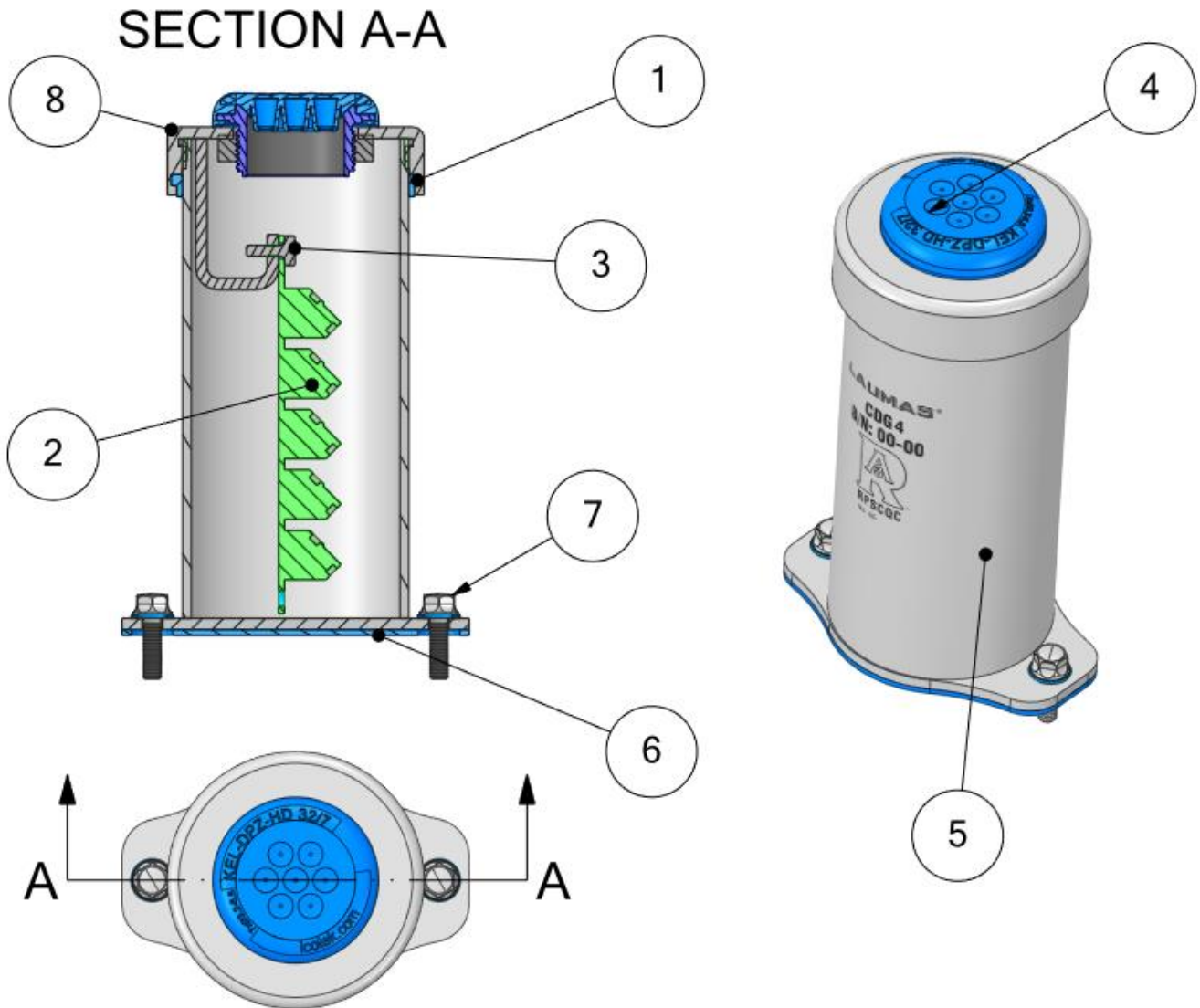
### RECOMMENDATIONS FOR THE PROPER USE OF WEIGHING INSTRUMENT

- Keep away from heat sources and direct sunlight
- Do not dip in water
- Do not install in areas subject to explosion hazard

The following table shows the material of the instrument components exposed to external agents:

COMPONENT	MATERIAL	DETAILS
Cover	Stainless steel	AISI304
Cylindrical body	Stainless steel	AISI304
Anchor screws	Stainless steel	EHEDG certificate
Cover seal	Food Grade silicone	VMQ blue RAL5015
Base seal	Food Grade silicone	VMQ blue RAL5015
Cable gland	Elastomer	FDA approved
Electronic board	Vario	
Screw M3	Stainless steel	A2

## PARTS IDENTIFICATION



1. Cover seal
2. Electronic board
3. Screw M3
4. Cable gland (max 7 cables  $\text{\O}3.2 - 6.5$  mm)
5. Cylindrical body
6. Base seal
7. Hygienic M5 anchor screws
8. Cover

## TECHNICAL SPECIFICATIONS

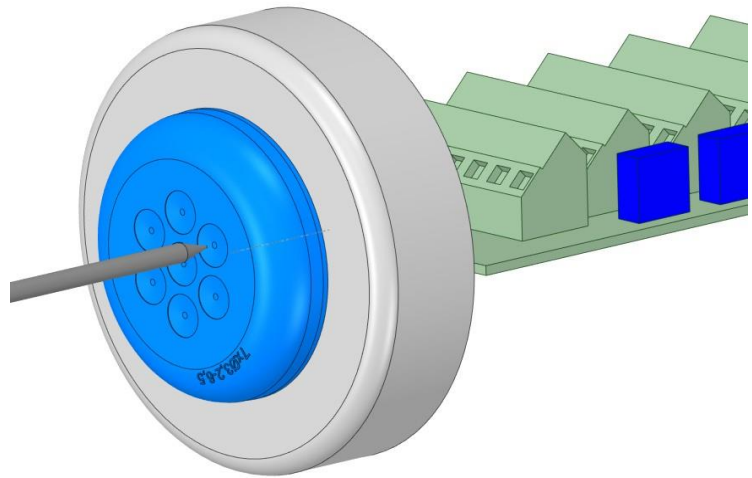
HUMIDITY (non condensing)	85%
PROTECTION RATING	IP68
STORAGE TEMPERATURE	-30 °C +80 °C
WORKING TEMPERATURE	-20 °C +60 °C

## INSTALLATION

- after unscrewing the cover, drill the membranes of the cable gland using a small screwdriver or awl;



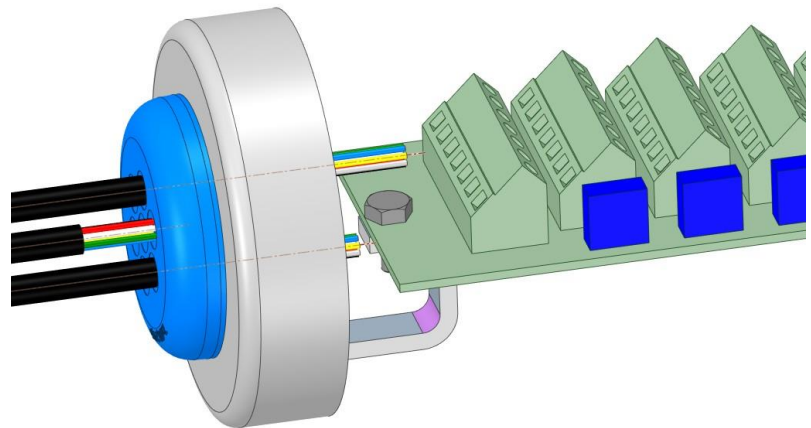
Drill only the number of membranes that will actually be crossed by the cables (max 7 cables Ø3.2 -6.5 mm).

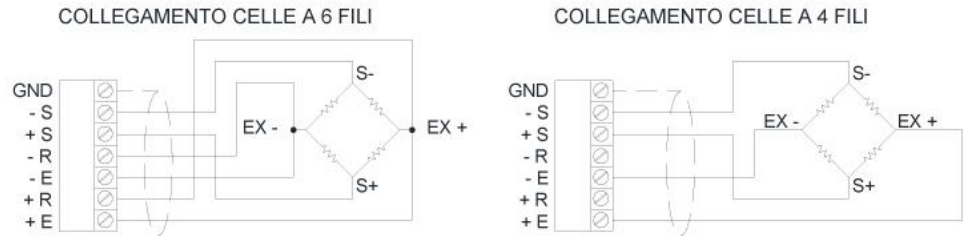


- insert the cables into the holes of the membranes and push forward;



The cables can run in both directions, so they can be retracted later.





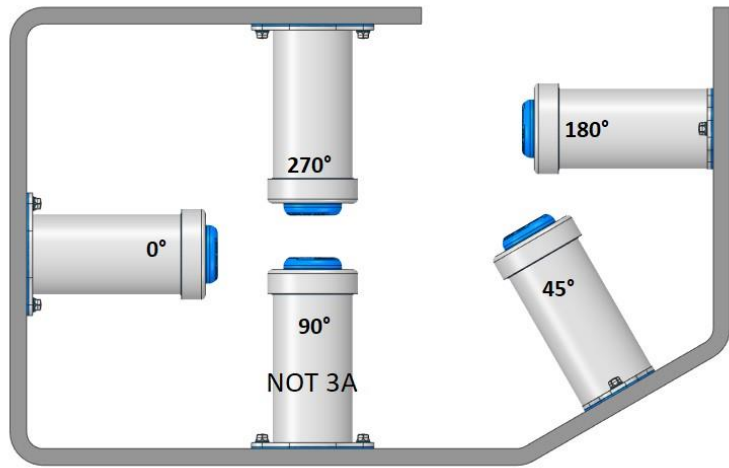
- make the electrical connections as shown in the diagram;



- arrange the cables so that they do not press on the cable gland once the box is closed;
- close the junction box by screwing the cylindrical body to the cover, not vice versa;



- install the junction box.  
To ensure the seal and not to damage the base seal, it is recommended to tighten the hygienic M5 anchor screws with a torque of 3 Nm.  
For this phase it is specified that the 3A certification exists only if the box is mounted in a position other than the vertical one (90 °).

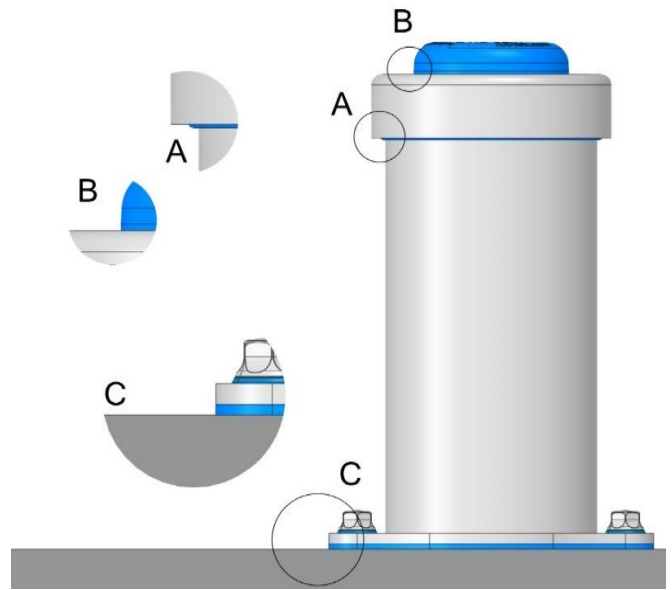




## SANITIZATION AND MAINTENANCE

### SANITIZATION

- 1) Perform a first rinse with water at a maximum temperature of 40 °C.
- 2) Distribute an alkaline detergent at a maximum temperature of 100 °C and leave it to act for about 10 minutes, respecting the supplier's concentration specifications.
- 3) Rinse with water at a maximum temperature of 100 °C: direct a low pressure jet toward the components, at an angle of approximately 45 ° and a distance of at least 300 mm to avoid damaging the seals; pay particular attention to the points indicated in the figure.



- 4) To remove any remaining particles of dirt, use soft brushes or plastic scrapers; do not use abrasive components to avoid damaging the components and altering surface roughness.

### MAINTENANCE

- Periodically check the seals and verify that they are not damaged: if there are any cracks, replace them with genuine spare parts.
- Periodically check the instrument body and cable: if any damage is found, replace the affected part.
- Observe the instructions in the manual regarding the installation and positioning of loads.
- During all maintenance operations, make sure that the bearing surface is clean and that the surrounding area has been sanitized to avoid introducing any particles of dirt.
- To ensure optimum component washability, it is essential that the surface of the stainless steel parts is smooth and free from any scoring or scratches: these defects foster bacterial proliferation and require replacing the part.





On our website [www.laumas.com](http://www.laumas.com) there are videos on the guidelines for correct installation of weighing systems and video tutorials on configuring our transmitters and weight indicators.

All Laumas product manuals are available online. You can download the manuals in PDF format from [www.laumas.com](http://www.laumas.com) by consulting the Products section or the Download Area. Registration is required.

Think about the environment before you print!

**CERTIFICATION OF THE ENVIRONMENTAL MANAGEMENT SYSTEM**  
in accordance with UNI EN ISO 14001.

Laumas contributes to environmental protection by saving on paper consumption.